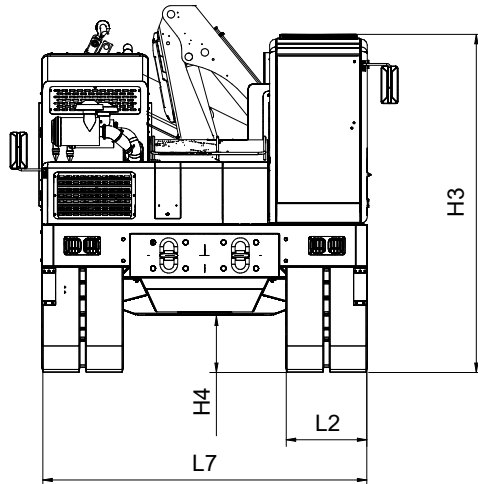


FLAT TRACK SRT - 155

Transport dimensions: 6,0 (L) X 2,55 (W) X 3,4 (H) m / 19.7(L) X 8.4 (W) X 11.2 (H) ft
Transport weight: 10 650 kg / 23,480 lb



Operation dimensions

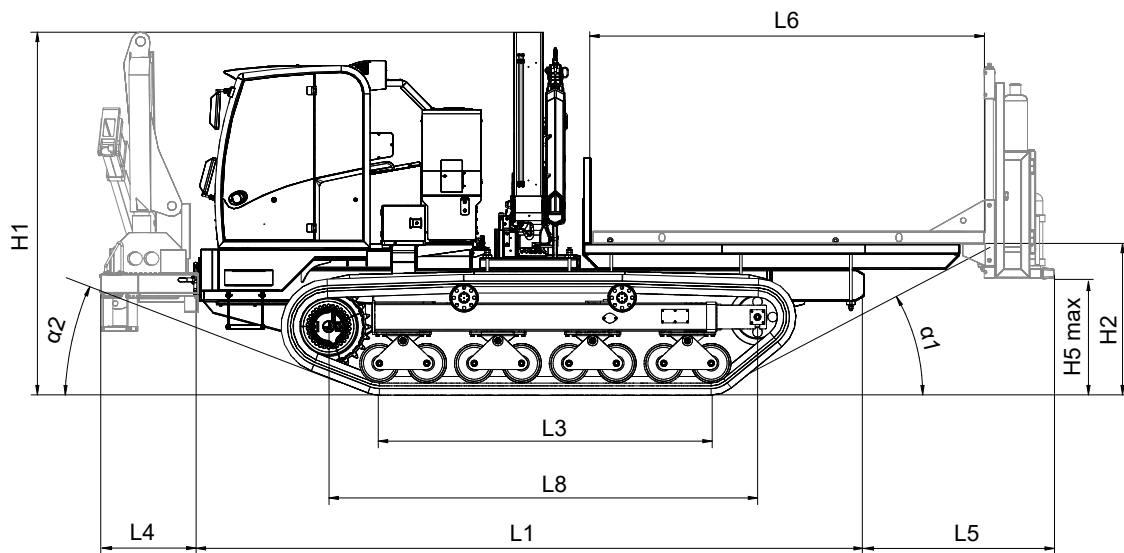
L1	5,65 m	18.5 ft
L2	0,7 m	2.3 ft
L3	2,94 m	9.6 ft
L4*	0,9 m	2.9 ft
L5**	1,24 m	4.0 ft
L6	3,2 m	10.5 ft
L7	2,55 m	8.4 ft
L8	3,7 m	12.1 ft
H1	3,36 m	11.0 ft
H2	1,3 m	4.3 ft
H3	3,25 m	10.7 ft
H4	0,52 m	1.7 ft
H5**	0,85 m	2.8 ft

$\alpha 1$ 28°

$\alpha 2$ 20°

* only with front crane (optional)

** only with gas cylinder holder (optional)



ENGINE

EMISSION EPA&CARB Tier 3 / EU Stage IIIA

Type:	Caterpillar
Model:	ACERT C7.1
Net flywheel power (DIN 6270-SAEJ 1349):	202 HP - 151 kW
Governed speed:	2100 rpm
Displacement:	7 l - 427 in ³

ENGINE

EMISSION EPA&CARB Tier 4 FINAL / EU Stage V

Type:	Caterpillar
Model:	ACERT C7.1
Net flywheel power (DIN 6270-SAEJ 1349):	202 HP - 151 kW
Governed speed:	2100 rpm
Displacement:	7 l - 427 in ³

HYDRAULIC SYSTEM

Main Pumps

Doble axial piston pumps, variable displacement

Maximum flow:	180 l/min - 47.5 gpm
Maximum operating pressure:	380 bar - 5,511 psi

Crane Service Pump

Gear pump

Maximum flow:	70 l/min - 18.5 gpm
Maximum operating pressure:	380 bar - 5,511 psi

Fan drive Pump

Gear pump

Maximum flow:	25 l/min - 6.6 gpm
Maximum operating pressure:	210 bar - 3,046 psi

TRANSMISSION

Type:	Hydrostatic closed circuit
Brakes:	Integrated negative control
Final drives:	Epicicloidial oil soaked

Maximum speed

1- speed:	5 km/h - 3.1 mph
2- speed:	8 km/h - 5 mph

PERFORMANCE

Operating weight:	10 650 kg - 23,480 lb
Max. weight (loaded):	16 500 kg - 36,380 lb
Gas cylinders holder weight	1 400 kg - 3,087 lb
Load capacity without gas cylinder holder	5 850 kg - 12,900 lb
Load capacity with empty gas cylinder holder	4 450 kg - 9,811 lb
Load capacity with full gas cylinder holder	3 995 kg - 8,805 lb
<u>Max. grade ability (full loaded)</u>	
Uphill/downhill:	35% - 19°
Side hill:	35% - 19°

CRANE (optional)

Max. lifting capacity	122 KNm - 89,982 lb ft
-----------------------	------------------------

GAS CYLINDERS HOLDER (optional)

Movement:	Hydraulic by cylinder
Control:	Hydraulic by hydraulic block
Stroke:	750 mm - 29.5 in
Loading gas cylinders:	8 + 2

CONTROLS

Track controls type:	Joystick - electric over hyd.
Service controls type:	Joystick - electric over hyd.
Drive control	Direction reset system
Camera	Rear with 7" display

TRACKED CARRIAGE

Number of bottom rollers:	8+8
Number of carrying rollers:	2+2
Track gauge:	2 550 mm - 100.4 in
Length of track on the ground:	2 940 mm - 115.7 in
Standard shoes width:	700 mm - 27.5 in
Ground contact area:	41 160 cm ² - 6,364 sq.in

FLUID CAPACITIES

Fuel tank:	280 lt - 74 U.S.Gal
Hydraulic oil tank:	185 lt - 49 U.S.Gal

ELECTRIC SYSTEM

Operating voltage:	24 V
Maintenance free supplied batteries:	2
Capacity (total):	100 Ah
Starter capacity:	5,5 kW
Alternator:	85 A

CABIN

- Elastically suspended cab.
- Operator's seat and jump seat.
- Sound proof.
- Air conditioned
- Horn.
- Added with protection ROPS-FOPS CANOPY ISO 3471 ISO 3449.

ATTACHMENTS

- Front crane or rear crane.
- Platform.
- Twist lock frame for container.